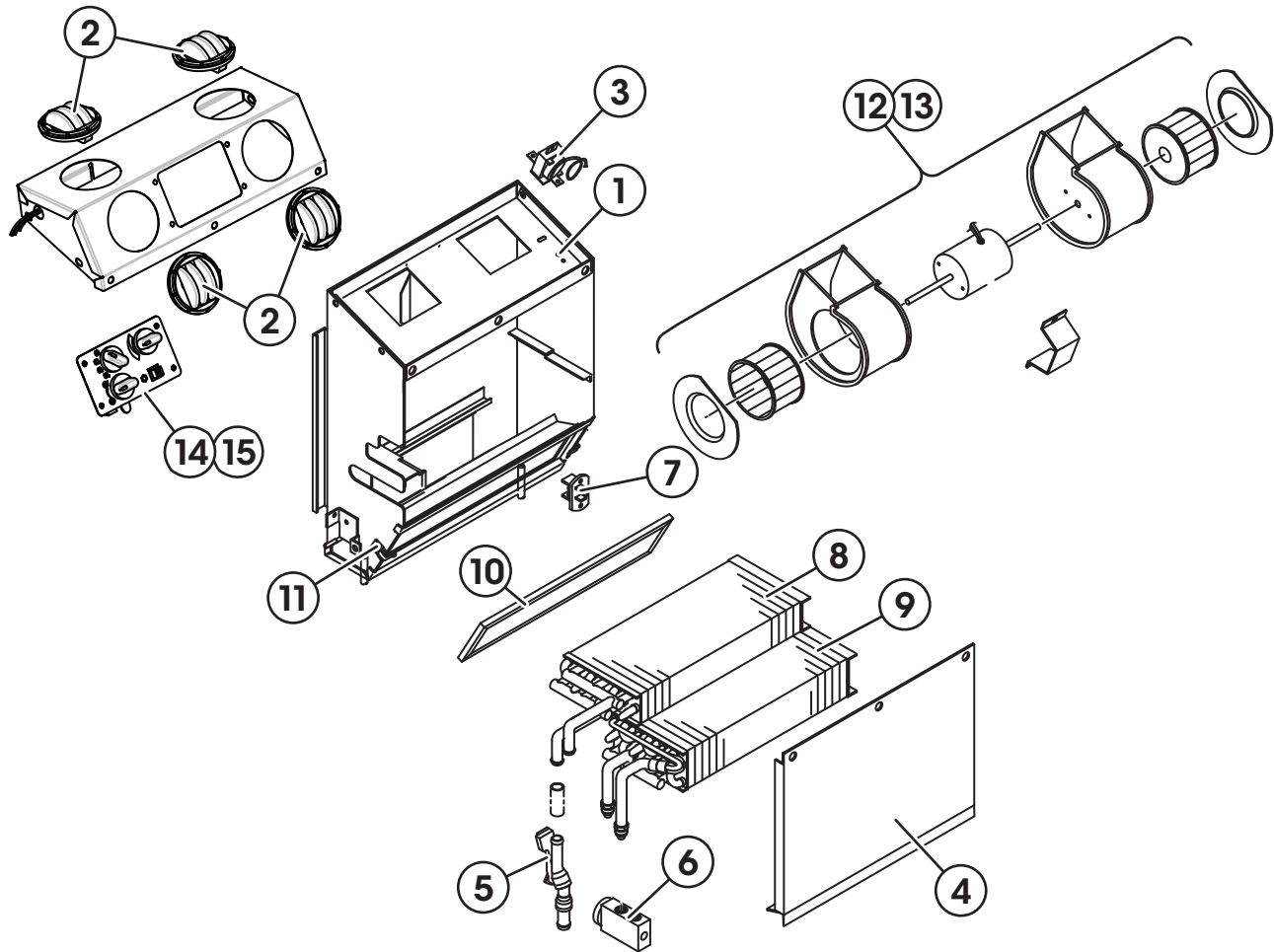


Heater Air Conditioner Model R-8545-17,-16

SERVICE PARTS LIST



ITEM	NOTE	PART NO.	DESCRIPTION	CAT. NO.
1		RD-3-17689-0P	Housing Assembly	
2		RD-5-10236-0P	Air Diffuser Assembly (4)	72R3135
3		RD-4427-24P	Thermostat	71R3100
4	B	RD-3-5290-0P	Cover Assembly	
5		RD-5-7760-1P	Water Valve	72R5220
6		RD-5-6868-0P	Expansion Valve	71R8301
7		RD-5-3647-0P	Resistor	71R1450
8	B	RD-1-0771-1P	Heater Core Assembly	76R1510
9		RD-2-1664-0P	Evaporator Assembly	76R5300
10		RD-5-6240-0P	Filter	78R5340
11		RD-5-6239-0P	Snap Fastener(2)	
12		RD-5-8837-0P	Motor Blower Assembly 12V	73R5532

ITEM	NOTE	PART NO.	DESCRIPTION	CAT. NO.
13		RD-5-8838-0P	Motor Blower Assembly 24V	73R5534
14	B	RD-3-13403-0P	Control Panel Assembly	
15	A	RD-3-13403-1P	Control Panel Assembly	
16	C	RD-5-8459-0P	Switch - A/C	71R0030
17	A,C	RD-3-10616-0P	Wire Harness-Assembly 12V	
18	A,C	RD-3-10617-0P	Wire Harness-Assembly 24V	
19	A,C	RD-5-9833-0P	Switch - Rotary 3-Speed (25amp)	71R1160
20	A,C	RD-5-4133-0M	Nut - 7/16 - 28 UNEF-2B	
21	A,C	RD-5-9133-0M	Knob - Control	71R4065
22	A,C	RD-5-9443-3P	Cable Converter Assembly	72R8265
23	A,D	RD-5-3550-120P	Drain hose	78R0070

NOTES: A= Not shown B=Heater-A/C Combo Only C=Part of Items 23 / 24 D=Part of Installation Kit

RED DOT CORPORATION

P.O.Box 58270 Seattle, WA 98138 (206) 575-3840 AMCustomerService@RedDotCorp.com

RD-3-8264-0 (REV F)

FOR REFERENCE ONLY. SUBJECT TO CHANGE WITHOUT NOTICE